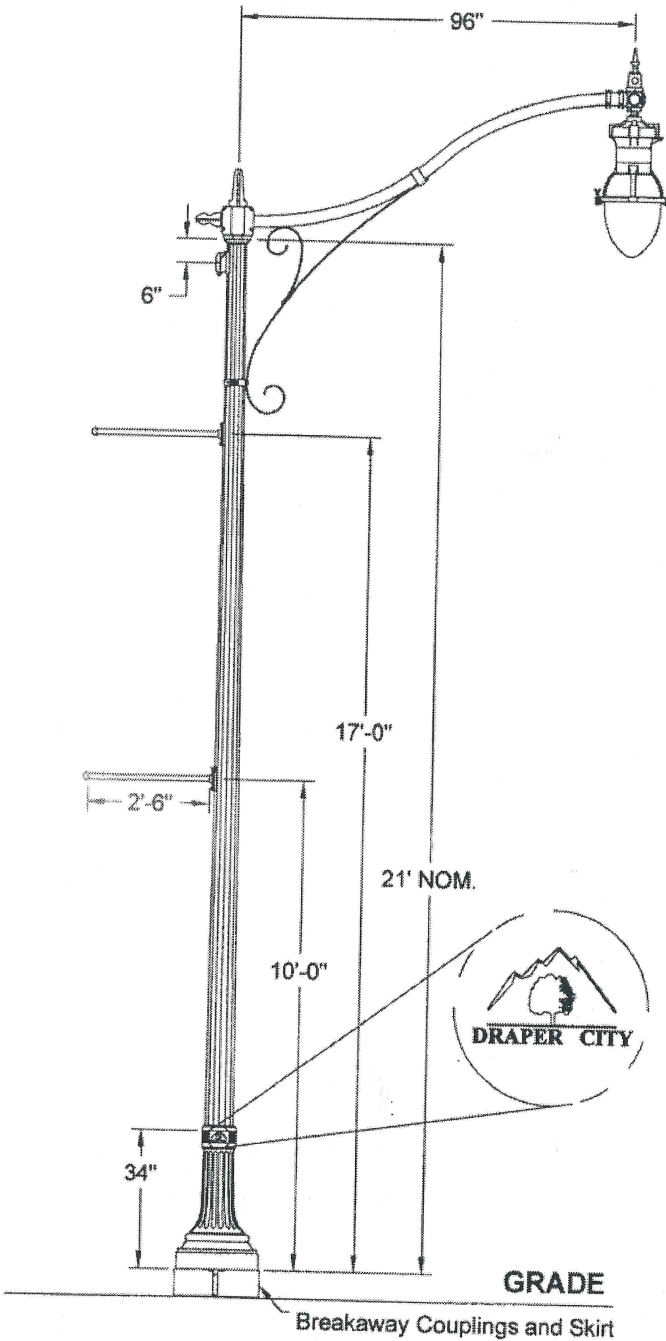


Draper City

Specifications



POST DESCRIPTION

The lighting post shall be cast iron and steel construction with a tapered fluted cast iron base with custom logo and a 16 flute tapered steel shaft, a duplex GFCI receptacle with small weatherproof white-in-use cover, cast aluminum and aluminum pipe luminaire arm with clamp on brace and two bolt on Ø1" x 30" banner arms with half sphere finials.

MATERIALS

The base material shall be heavy-wall cast iron formed true to pattern with complete detail. The shaft shall be steel. Arm shall be heavy wall cast aluminum and 2" schedule 40 pipe. Banner arms shall be all aluminum. All hardware shall be tamper resistant, stainless steel. Anchor bolts shall be hot-dip galvanized steel.

DIMENSIONS

The post shall be 21'-0" in height with a Ø20" x 34" tall base. Shaft shall taper from Ø7" to Ø4 1/2". Luminaire arm shall provide a light center 96" from shaft center. Banner arms are Ø1" x 30" long.

INSTALLATION

Post provided with (4) 3/4" Ø x36" hot dip galvanized steel L-type anchor bolts. Breakaway couplings and a skirt shall be included and installed at the base of the post. A door is located in the base to provide anchorage and wiring access.

FINISH

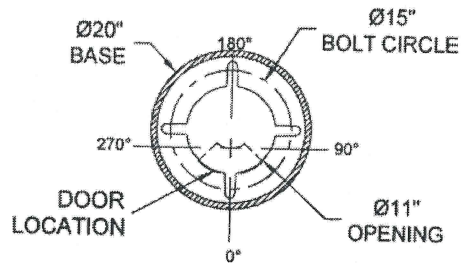
The post assembly shall be shipped with a black powder coat finish.

LUMINAIRE DESCRIPTION

The Esplanade luminaire is styled to replicate the "teardrop" luminaires that lighted boulevards in the first half of this century. Designed for light control and ease of installation and maintenance, the Esplanade has a precision optical system for true street lighting performance.

For complete luminaire specifications, see US-1255.

Anchorage Detail



Catalog #:

NY21/20-CIS/BK-MODLOGO-FGIUS-SBK-VGC96/1-CA/BK-2BA30H/1/BO-CA/BK-WLLF/200-SCA/BKR-TPRC-SBK-BREAKCOUP-NY20SKIRT-ES400MH20B4-LAMP

TYPE:

DRAWING NO: US-3982

ARCHITECTURAL OUTDOOR ORDER #:

THIS DRAWING, WHEN APPROVED, SHALL BECOME THE COMPLETE SPECIFICATION FOR THE MATERIAL TO BE FURNISHED BY HOLOPHANE ON THE ORDER NOTED ABOVE. A UNIT OF SIMILAR DESIGN MAY BE SUPPLIED, BUT ONLY AFTER APPROVAL BY THE CUSTOMER IN WRITING. ON POLE ORDERS AN ANCHOR BOLT TEMPLATE PRINT WILL BE SUPPLIED WITH EACH ANCHOR BOLT ORDER TO MATCH THE POLE PROVIDED.

THIS PRINT IS THE PROPERTY OF HOLOPHANE AND IS LOANED SUBJECT TO RETURN UPON DEMAND AND UPON EXPRESS CONDITION THAT IT WILL NOT BE USED DIRECTLY OR INDIRECTLY IN ANY WAY DETRIMENTAL TO OUR INTERESTS, AND ONLY IN CONNECTION WITH MATERIAL FURNISHED BY HOLOPHANE.

HOLOPHANE
LEADER IN LIGHTING SOLUTIONS
An Acuity Brands Company
214 OAKWOOD AVENUE · NEWARK, OHIO 43055

SCALE: N/A
DRAWN: RAF
APP'D:
DATE: 06-17-04